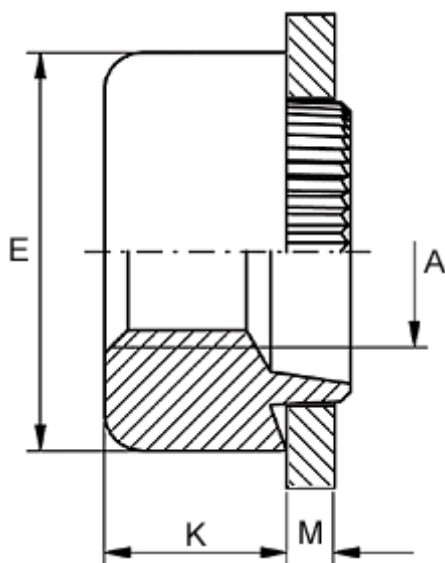


Article number: 12704000040500

Description: KLEE-coil 704 000 040.500  
M4 St. steel 1.4305

## Measures

---



Female thread A	= M4
Height K	= 4.0
Outer diameter E	= 10.0
Plate thickness	= 0.9 to 1.0
Recommended bore diameter for extreme load	= 7.0
Recommended bore diameter for normal use	= 7.0